

WHEN DISASSEMBLING ALUMINUM EXTRUSION, TIGHTEN ALL SETSCREWS AND LOCKS TO PREVENT LOSS DURING SHIPPING

visionary™ IDESIGNS

Using Your Setup Instructions

The Visionary Designs Setup Instructions are created specifically for your configuration. They are laid out sequentially, including an exploded view of the entire display, and then a logical series of detailed steps to assemble the main structure and components. We encourage you to study the instructions **before** attempting to assemble your exhibit.

Each page reminds you to tighten the setscrews after disassembling your exhibit to prevent loss of the locks and setscrews (see below in RED). This is **VERY IMPORTANT**.

Cleaning and Packing Your Display

- 1) Use care when cleaning aluminum extrusion or acrylic inserts. Use only non-abrasive cleaners.
- 2) When cleaning laminate inserts or countertops, use mild cleansers and a soft material such as cotton.
- 3) Keep all display components away from extreme heat and long exposure to sunlight to avoid warping and fading.
- 4) Retain all packing material. It will make re-packing much easier and will reduce the likelihood of shipping damage.



The Tool

Most Visionary Designs exhibits can be assembled with the supplied Hex Key Tool. Occasionally, a flat head screwdriver may be required.



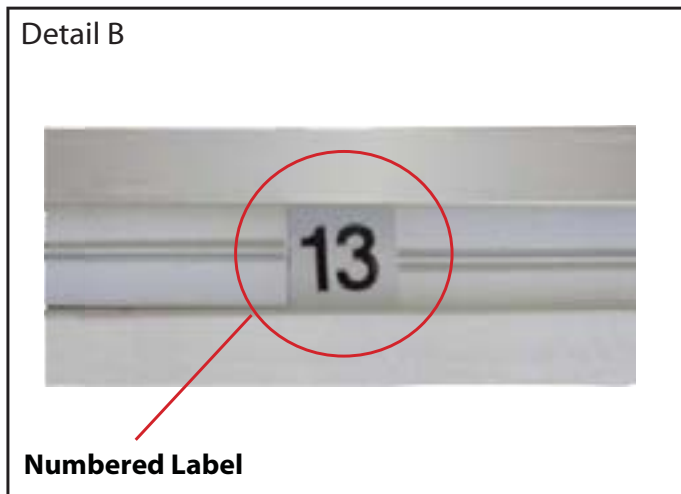
Detail A

Typical Connection



Typical Connection (cont'd)

Most horizontal extrusion connections have a patented expandable lock. This lock inserts into the groove of an opposing extrusion. Tightening the lock with the Hex Key Tool expands the lock and creates a strong positive connection.



Detail B

Numbered Label

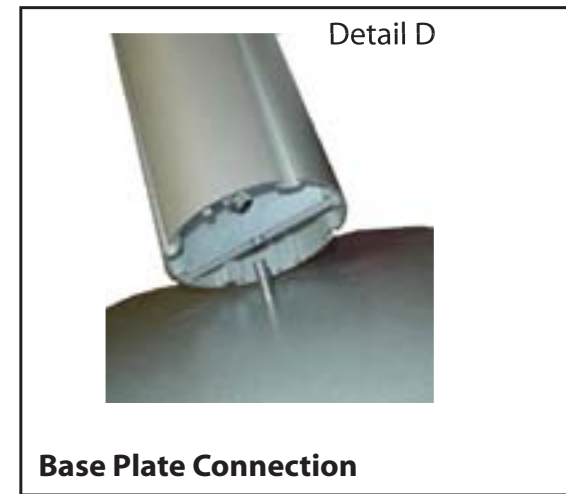
Each extrusion contains a numbered label which corresponds with setup instructions. The label is located within a groove of the extrusion (when possible). With Visionary Designs the labels contain Black numbers unless otherwise specified.



Detail C

Horizontal Inline Connection (remove only one setscrew)

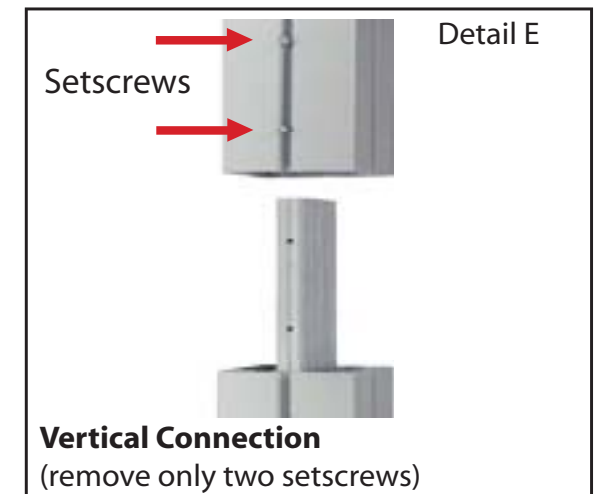
Remove only (1) setscrew when disassembling. Replace setscrew in extrusion after assembling it. Before packing, replace setscrew in extrusion to avoid losing it.



Detail D

Base Plate Connection

Attach base plate to round or square vertical extrusion using the bolt provided. Be careful not to strip the threads.



Detail E

Vertical Connection
(remove only two setscrews)

When vertical extrusions are packed in portable cases rather than crates or tubs, they must be broken down into smaller sections which then require assembly.

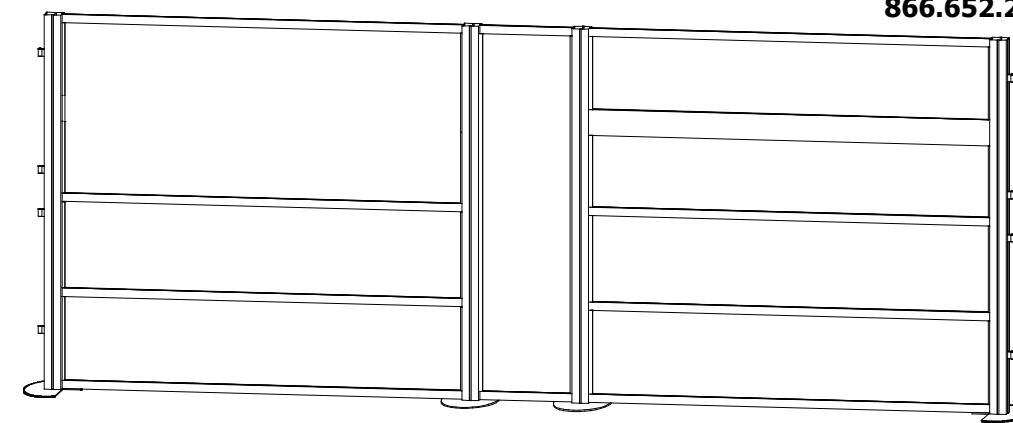
Remove only (2) setscrews when disassembling. Replace setscrews in extrusion after assembling it. Before packing, replace setscrews in extrusion to avoid losing them.

WHEN DISASSEMBLING ALUMINUM EXTRUSION, TIGHTEN ALL SETSCREWS AND LOCKS TO PREVENT LOSS DURING SHIPPING

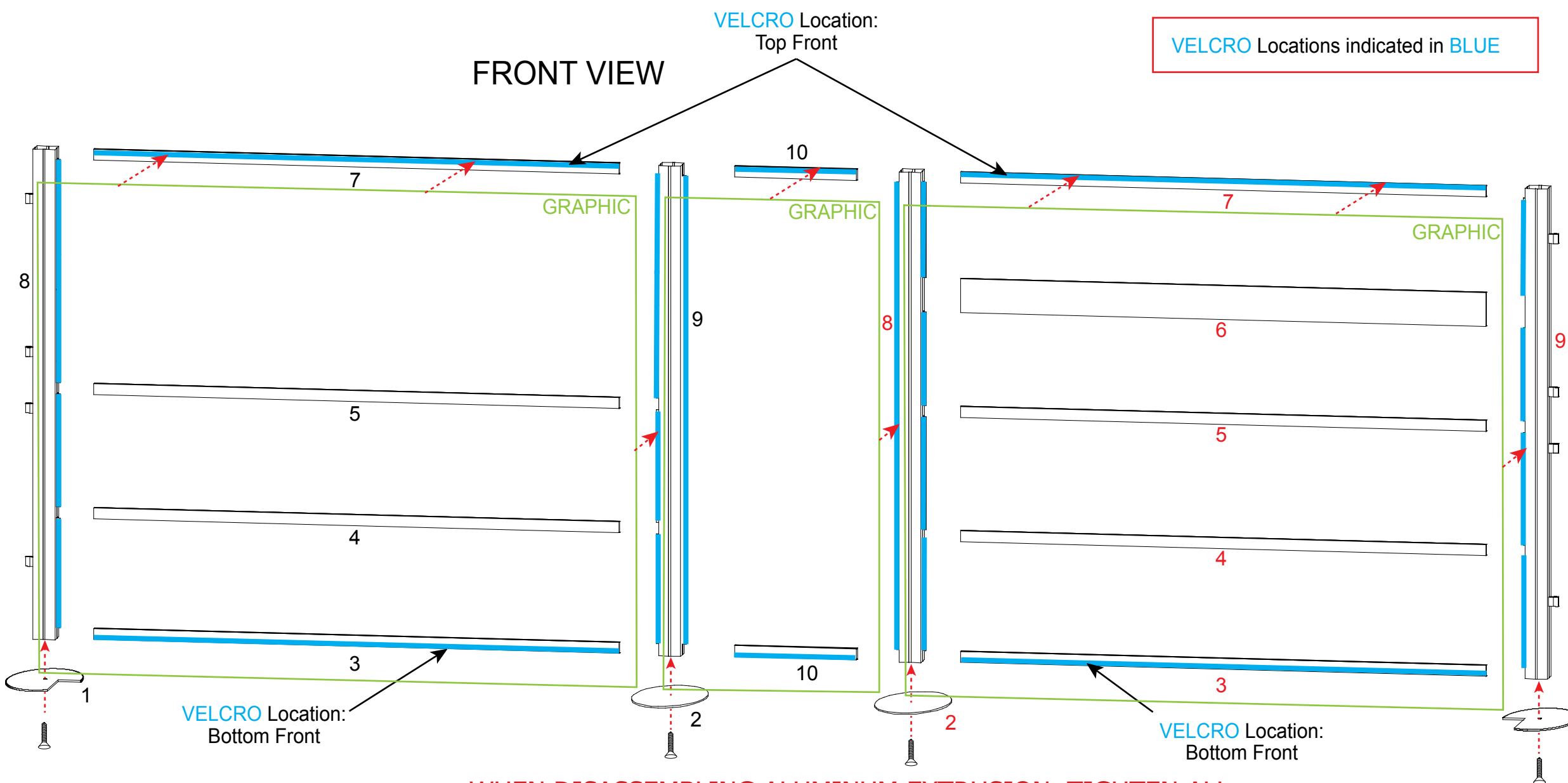
866.652.2100

Item	Qty.	Description
1/1	1/1	Oval Baseplate with Notch
2/2	1/1	Oval Baseplate
3/3	1/1	86" Horizontal Extrusion
4/4	1/1	86" Horizontal Extrusion
5/5	1/1	86" Horizontal Extrusion
6	1	86" Horizontal Extrusion
7/7	1/1	86" Horizontal Extrusion
8/8	1/1	80" Vertical Extrusion
9/9	1/1	80" Vertical Extrusion
10	2	20" Horizontal Extrusion

- Steps:
- 1) Connect Baseplates [1, 2, 1, 2] to Vertical Extrusions [8, 9, 8, 9]
 - 2) Connect Horizontal Extrusions [3, 4, 5, 7] between Vertical Extrusions [8, 9].
 - 3) Connect Horizontal Extrusions [3, 4, 5, 6, 7] between Vertical Extrusions [8, 9].
 - 4) Connect Horizontal Extrusions [10] between Vertical Extrusions [9, 8].
 - 5) Attach GRAPHIC to assembled frame with VELCRO



When assembled



WHEN DISASSEMBLING ALUMINUM EXTRUSION, TIGHTEN ALL SETSCREWS AND LOCKS TO PREVENT LOSS DURING SHIPPING

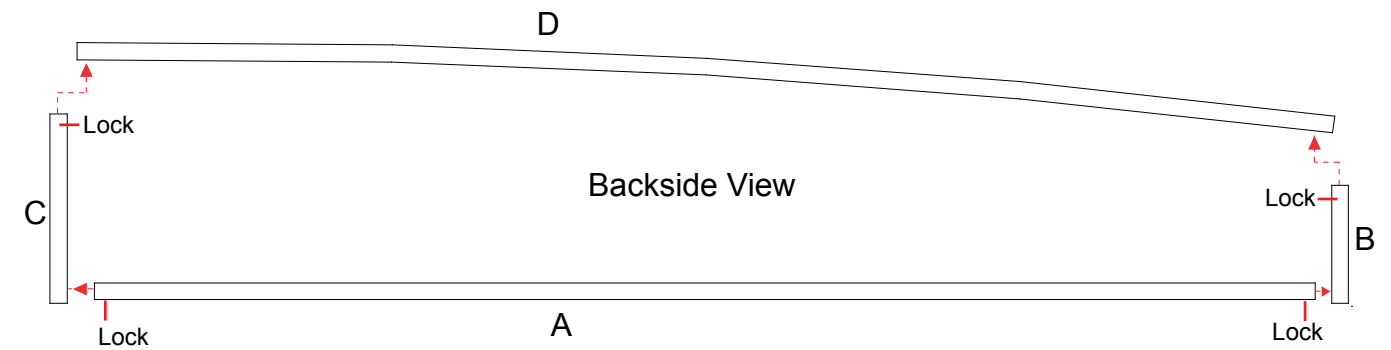
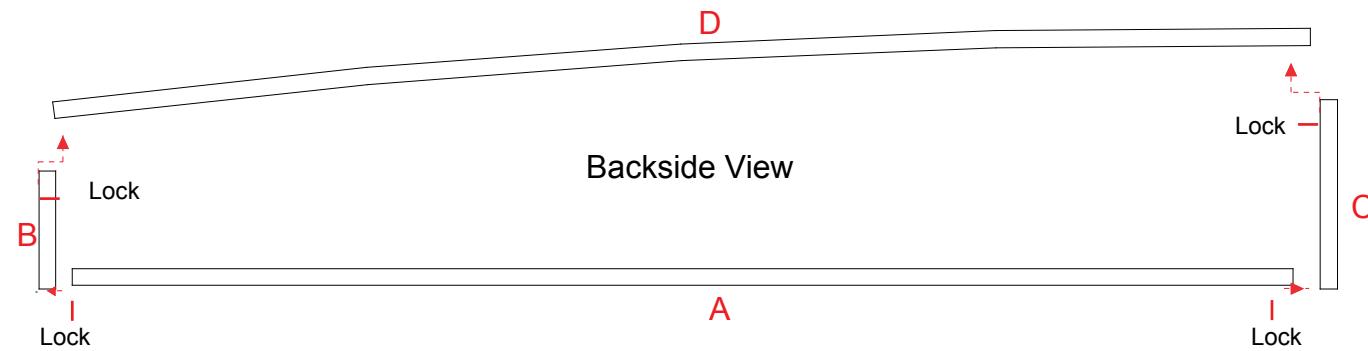
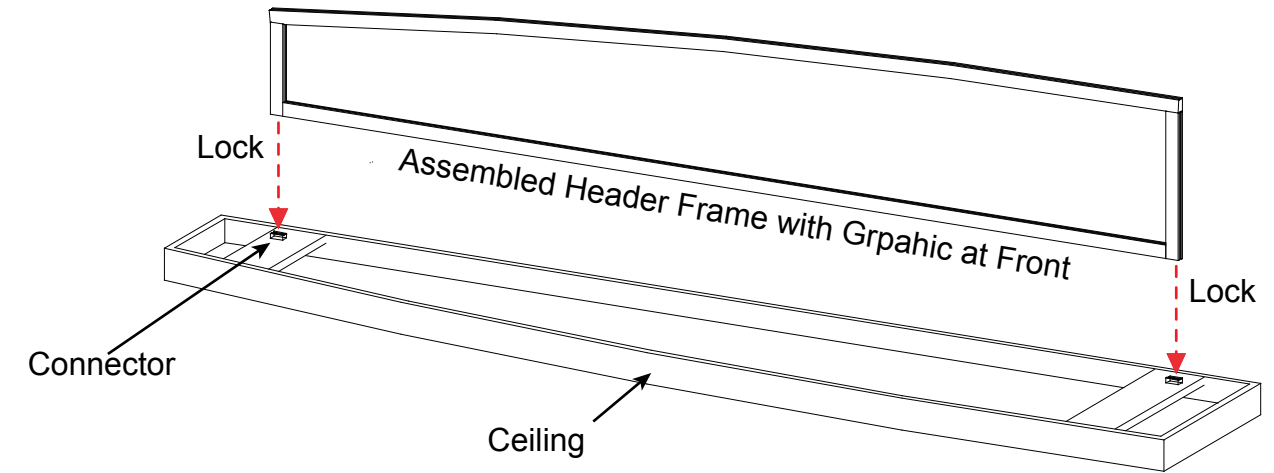
866.652.2100

Part Number	Qty	Description
A/A	1/1	90" Lower Horizontal Extrusion
B/B	1/1	8.75" Tapered cut Vertical Extrusion
C/C	1/1	14" Tapered cut Vertical Extrusion
D/D	1/1	93" Curved Horizontal Extrusion

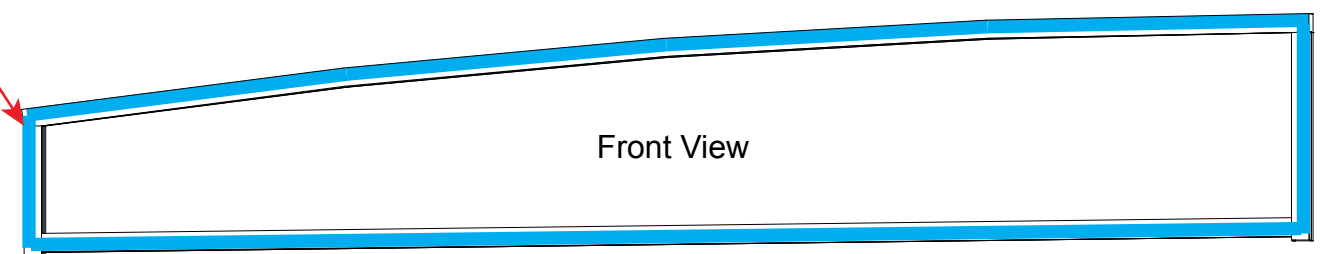
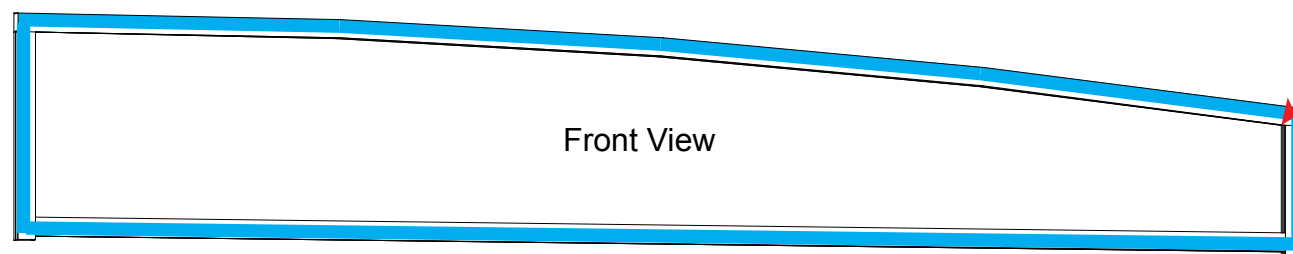
- Steps:
- 1) Attach header pieces together as shown.
 - 2) Apply graphic to front of assembled header.
 - 3) Attach assembled header frame to ceiling by locking to connectors where indicated.

NOTE: Header frame must stay assembled when shipping in crate

Note: Frame should be assembled from Backside.



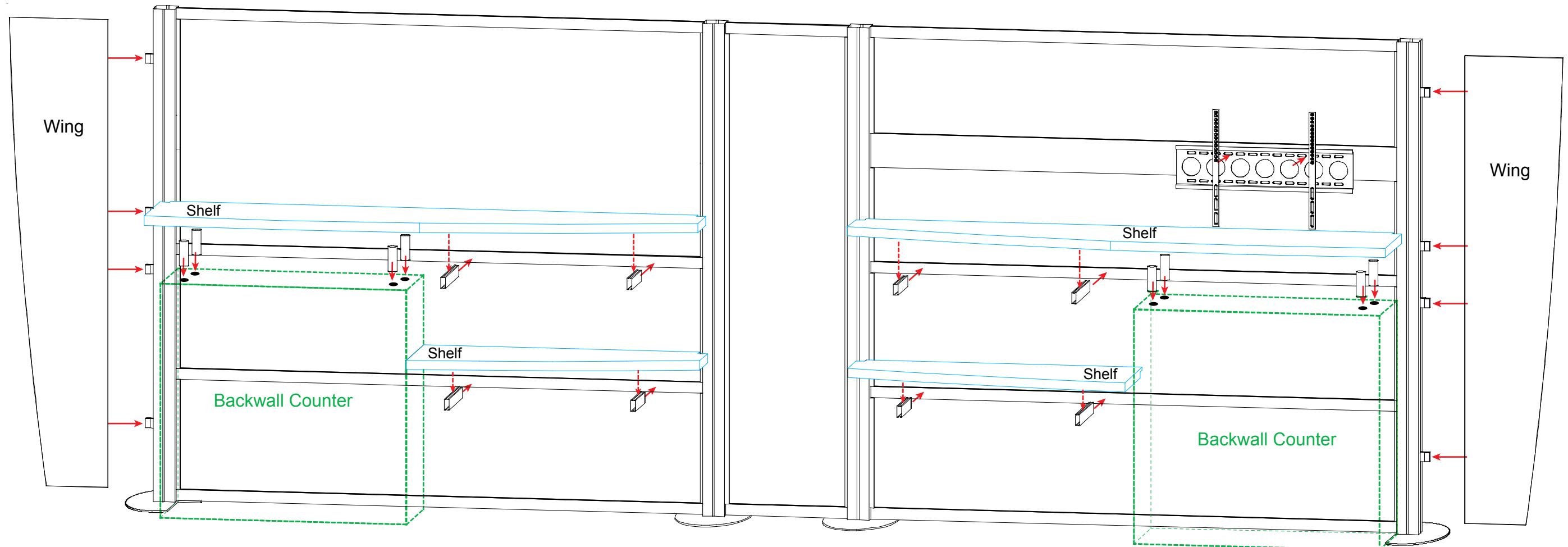
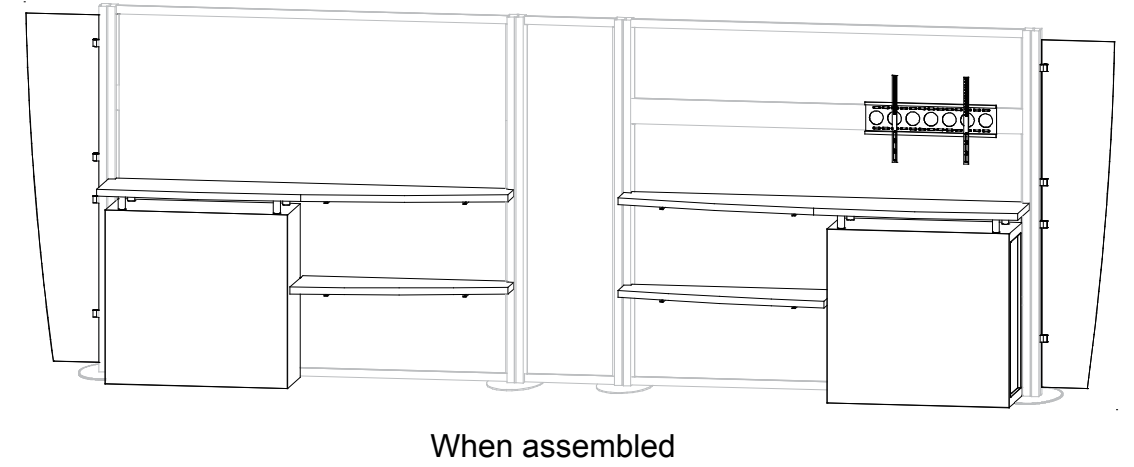
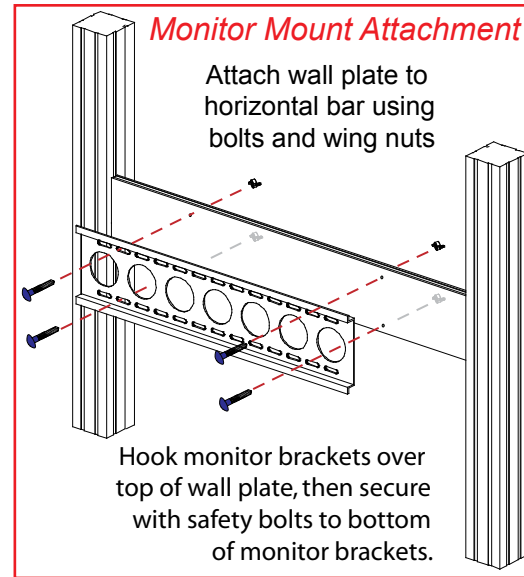
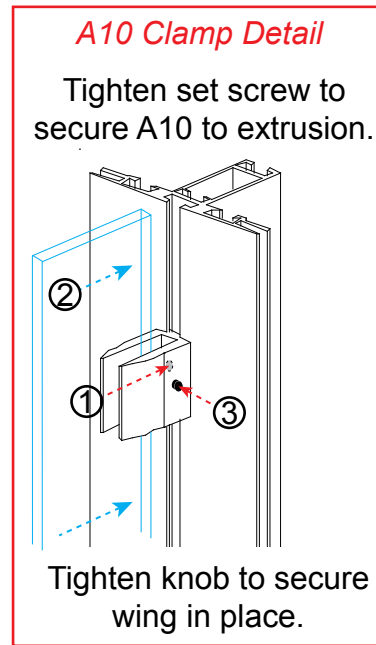
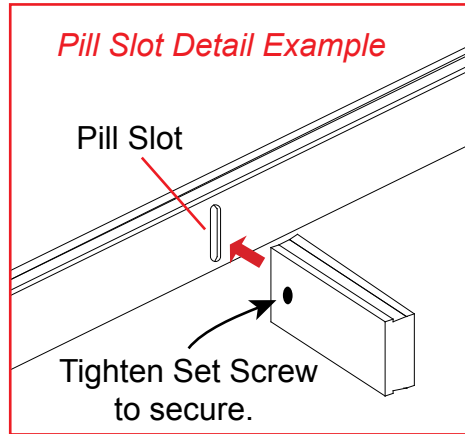
Velcro Applied to Front Perimeter of Frame



WHEN DISASSEMBLING ALUMINUM EXTRUSION, TIGHTEN ALL SETSCREWS AND LOCKS TO PREVENT LOSS DURING SHIPPING

Steps:

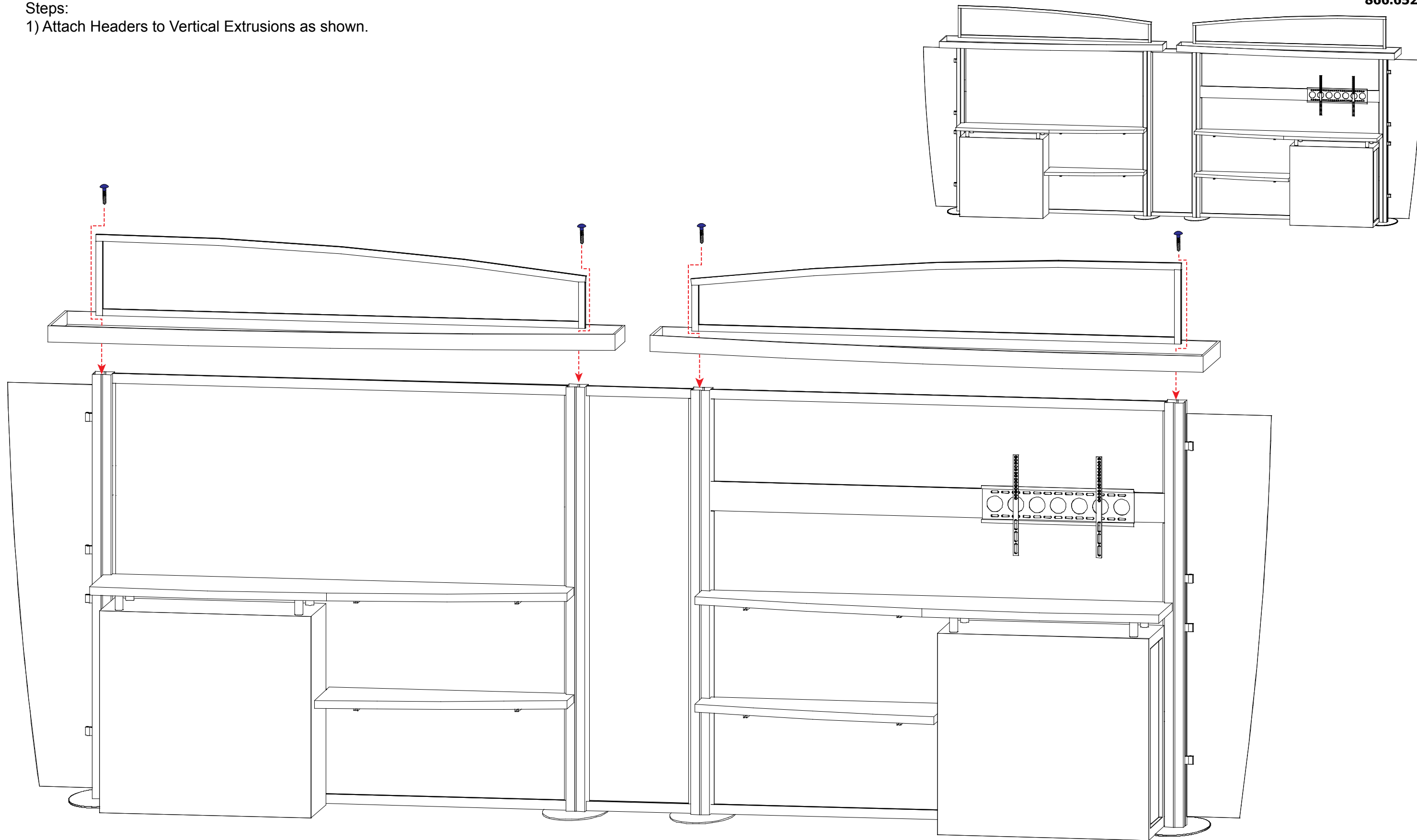
- 1) Connect Shelf Supports to Horizontal Backwall Extrusions (see Detail).
- 2) Place Backwall Counters in position.
- 3) Attach Standoff Barrells to top of Backwall Counter.
- 4) Place Shelves onto Shelf Supports and Standoff Barrells.
- 5) Attach Monitor Mounts to backwall (see Detail).
- 6) Attach Wings to Verticals using A10 Clamps (see Detail)



WHEN DISASSEMBLING ALUMINUM EXTRUSION, TIGHTEN ALL SETSCREWS AND LOCKS TO PREVENT LOSS DURING SHIPPING

866.652.2100

Steps:
1) Attach Headers to Vertical Extrusions as shown.

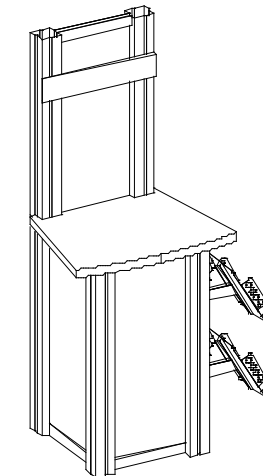


WHEN DISASSEMBLING ALUMINUM EXTRUSION, TIGHTEN ALL SETSCREWS AND LOCKS TO PREVENT LOSS DURING SHIPPING

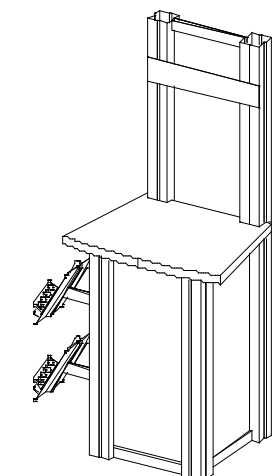
866.652.2100

Item	Qty.	Description
1	1	41.5" h Vertical Extrusion
2	1	41.5" h Vertical Extrusion
3	1	70" h Vertical Extrusion
4	1	70" h Vertical Extrusion
5	5	13.5" w Horizontal Extrusion
6	4	14.5" w Horizontal Extrusion

- Steps:
- 1) Attach lower horizontal extrusions [5 and 6] between vertical extrusions
 - 2) Place inserts and attach door where indicated, then attach upper horizontals as shown.
 - 3) Velcro shelf supports to inside of assembled base, then set internal shelf atop supports.
 - 4) Place counter top on assembled base.
 - 5) Attach monitor mount and lit racks to assembled workstation (see Detail).

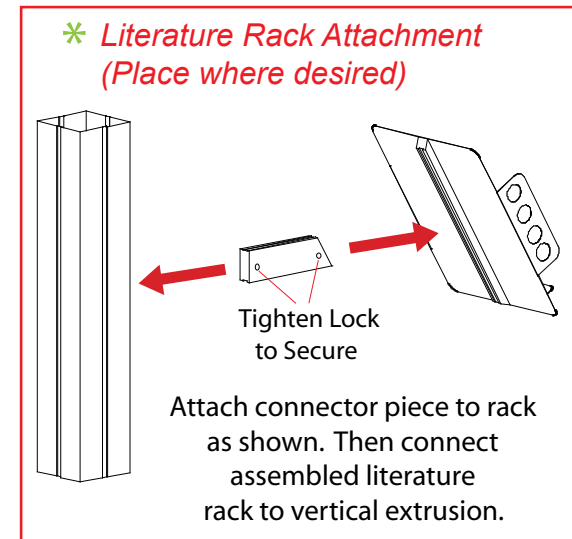
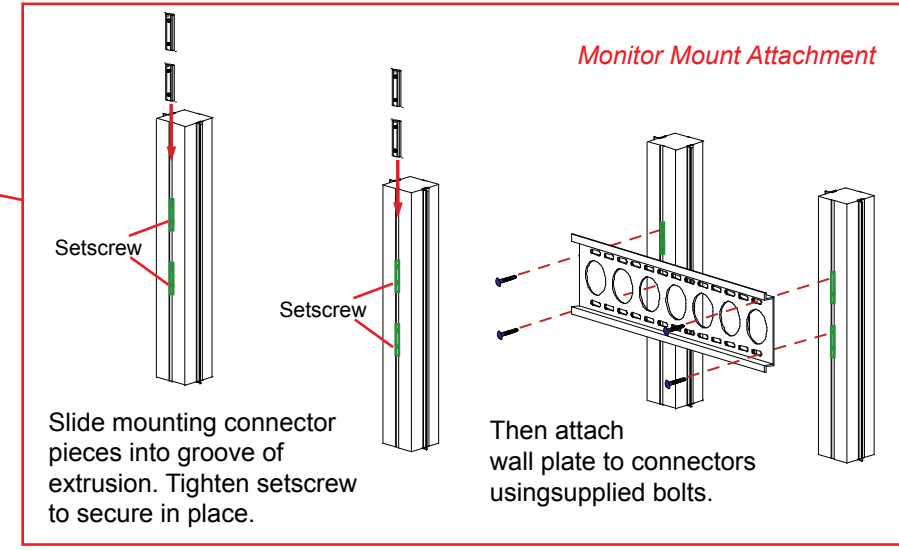
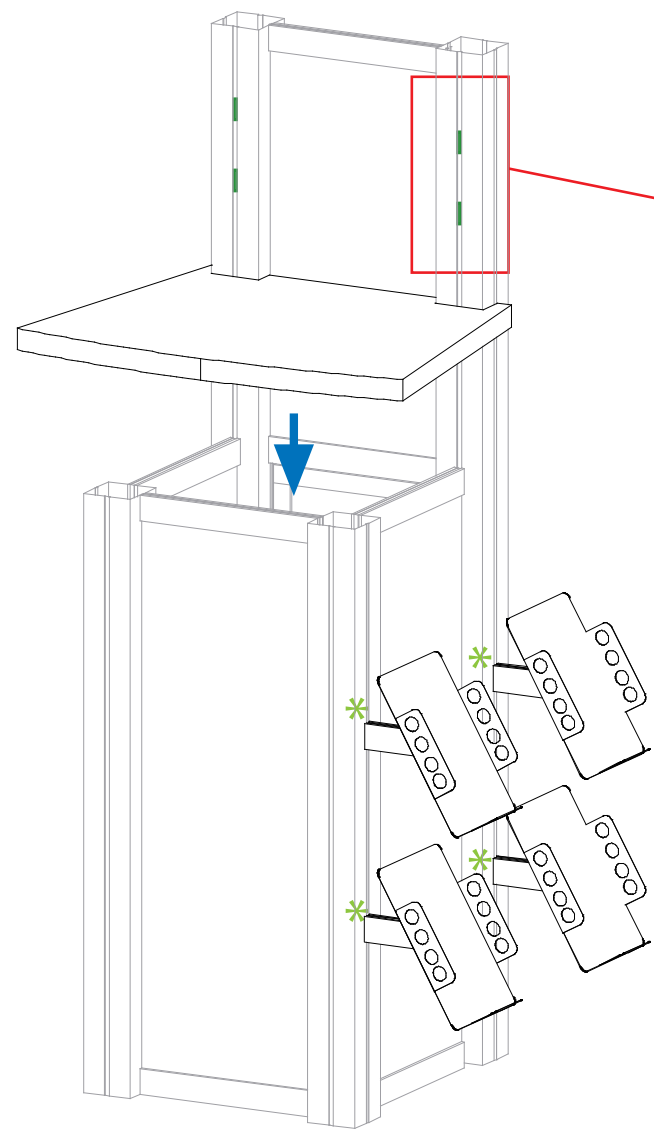
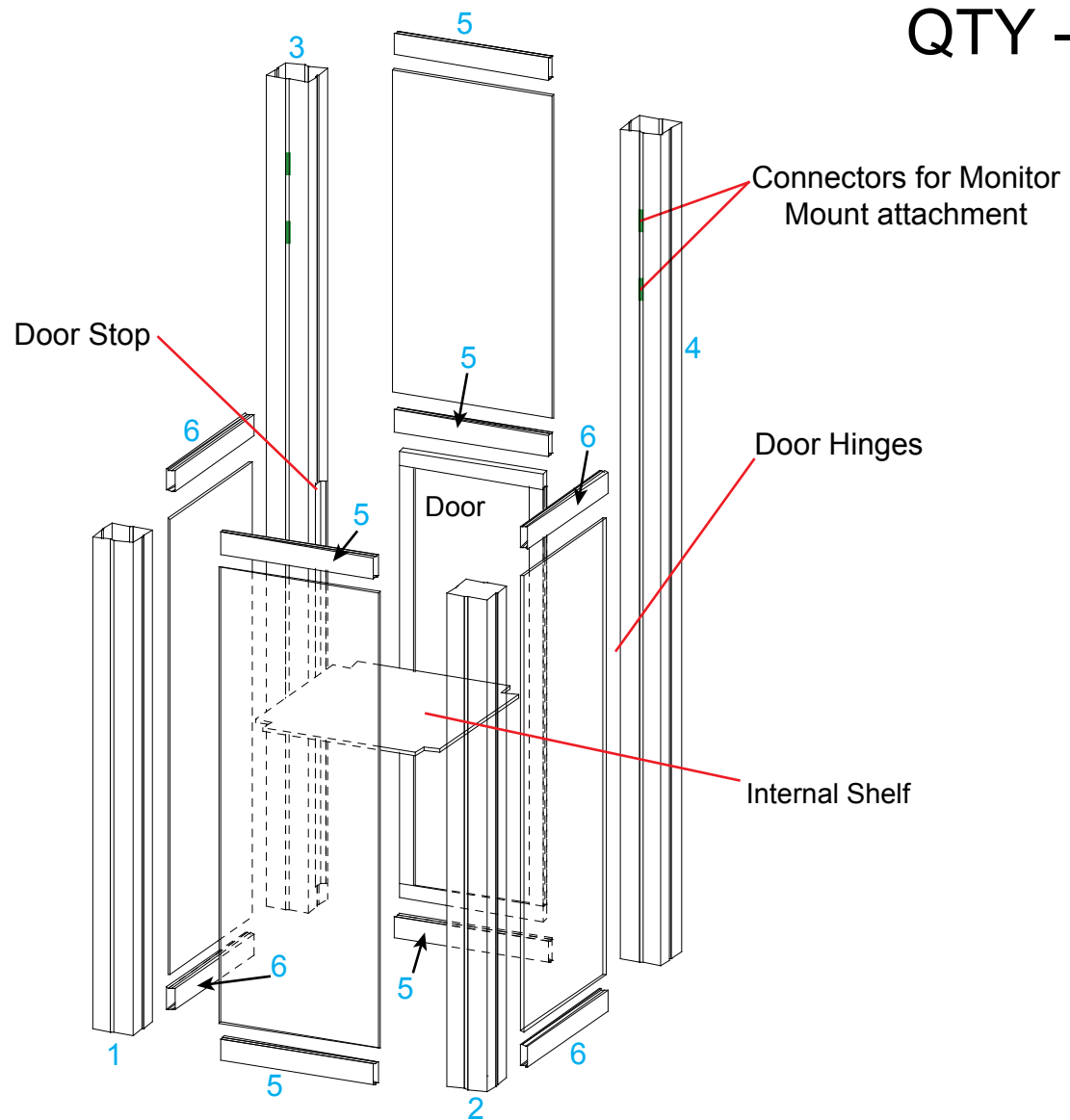


LEFT Pedestal



RIGHT Pedestal

QTY - 2



WHEN DISASSEMBLING ALUMINUM EXTRUSION, TIGHTEN ALL SETSCREWS AND LOCKS TO PREVENT LOSS DURING SHIPPING